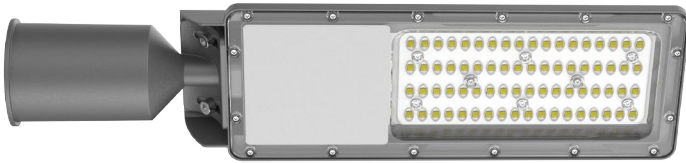




LUXPOINT® LED Roadlight - Reinhold

Datasheet



CE UK CA IP65 IK08

The Reinhold series LED Roadlight offers versatile lighting options to enhance visibility and safety on roadways and pathways. Energy-efficient and long-lasting, these roadlights significantly reduce electricity costs while providing optimal illumination. Designed for easy installation and maintenance, they are ideal for urban and rural settings alike, ensuring reliable performance in various environmental conditions.

Benefits

- High Efficacy
- Energy Efficiency
- Versatility of Size
- High protection rating

Applications

- Parking
- Pathway
- Highway
- Other demanding environments

LUXPOINT® LED Roadlight - Reinhold

Technical Data

Optical Specifications

Wattage		50W	100W	120W
Luminous Flux @CCT	2700K	6750lm	13500lm	16200lm
	3000K	7000lm	14500lm	16800lm
	4000K	7500lm	15000lm	18000lm
	5000K	7500lm	15000lm	18000lm
	6500K	7500lm	15000lm	18000lm
Total luminous flux of contained light sources @CCT	2700K	7250lm	14500lm	17400lm
	3000K	7500lm	15000lm	18000lm
	4000K	8000lm	16000lm	19200lm
	5000K	8000lm	16000lm	19200lm
	6500K	8000lm	16000lm	19200lm
Efficacy		135-150lm/W		
Flickering metric (Pst LM)		<1		
Stroboscope effect metric (SVM)		<0.4		
CRI		≥80		
SDCM		< 6		
Beam Angle		90°		
Photobiological safety group acc. To EN62778		RG0		
Photobiological safety group acc. To EN62471		RG0		
Dimmable		No		

Electrical and Mechanical Specifications

Input Voltage		220-240V ~50/60Hz		
Nominal Current		230mA	450mA	530mA
Inrush current time Th50		18µs@29A	33µs@10A	36µs@16A
Power Factor		0.9	0.9	0.9
Max. number of luminaires per miniature circuit breaker	B16	2	1	1
	C10	2	1	1
	C16	4	2	2
Protection class		Class I	Class I	Class I
Dimensions		L 444mm	L 497mm	L 565mm
		W 115mm	W 130mm	W 166mm
		H 35mm	H 35mm	H 35mm
Weight		730g	890g	1290g
Housing		Die-cast aluminum		
Diffuser		Tempered glass		
Replaceable light source		No		
Replaceable Control gear		No		
Glow wire test according to IEC60695-2-12		650°C		

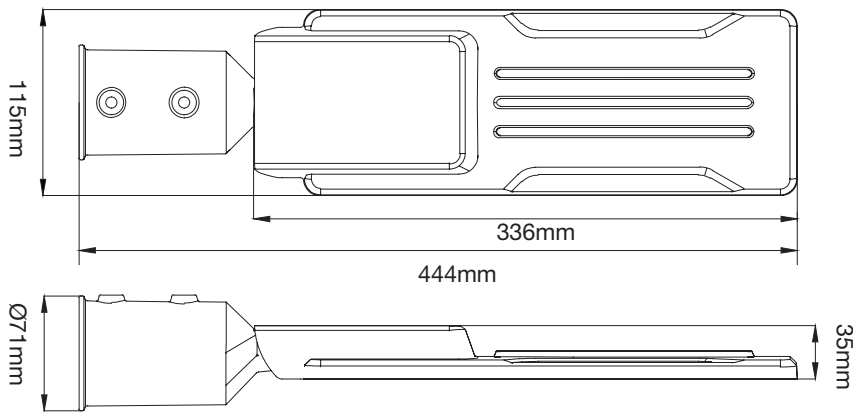
System Specifications

Power	AC mains
Operating Temperature	-20°C ~ 40°C
Storage Temperature	-20°C ~ 60°C
Lifespan L70/B50 at 45°C	30,000 hours
Lifespan L70/B50 at 25°C	50,000 hours
Number of switching cycles	50,000
Environment	Outdoor
Ingress Protection	IP65
Impact Resistance	IK08
Safety Approval	CE, UKCA, RoHS
Mercury content	0.0mg
Warranty	5 years

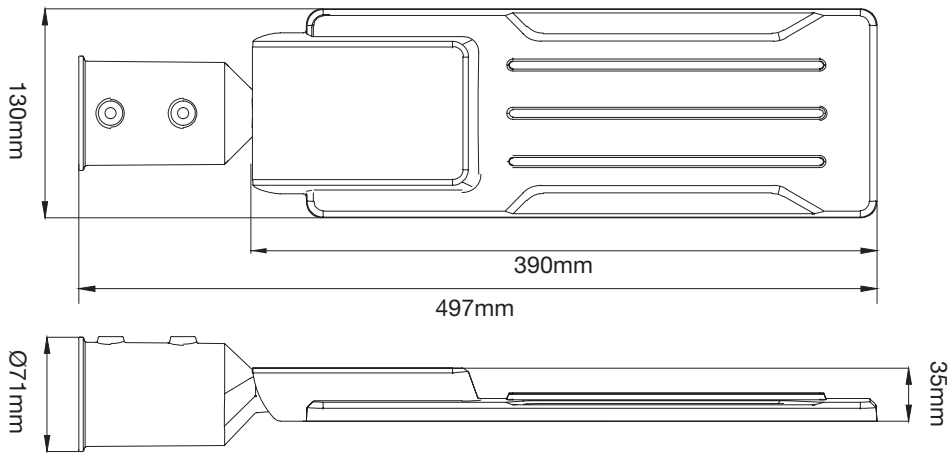
LUXPOINT® LED Roadlight - Reinhold

Dimension

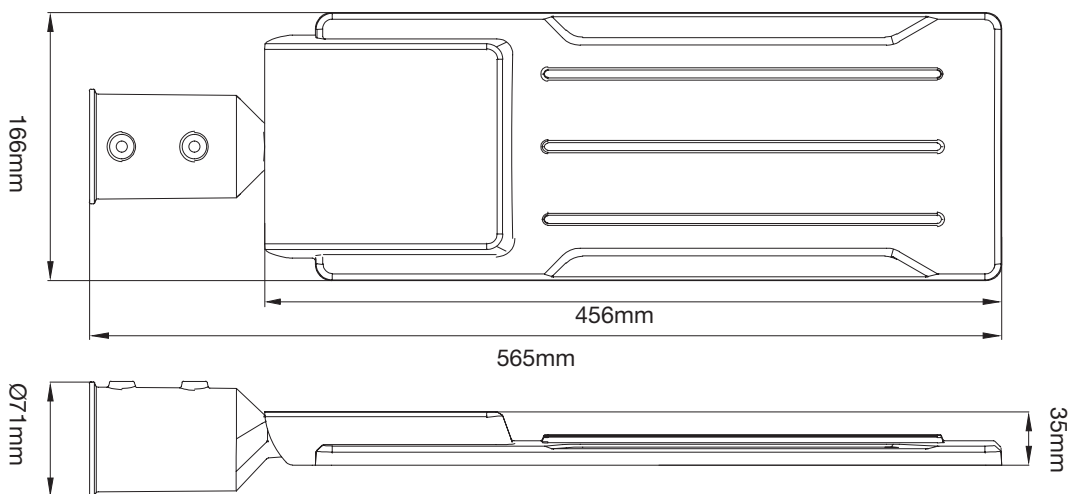
50W



100W



120W



Specifications are subject to change without notice. Errors and omission excepted, always make sure to use the most recent release.

©2023 TRAXON TECHNOLOGIES. ALL RIGHTS RESERVED

www.traxon-ecue.com

LUXPOINT® LED Roadlight - Reinhold

Ordering codes

Fixture

Short Text	Wattage	CCT	Fixture Lumen	Light Source Lumen	Beam angle	Item code	EAN-13
LP RL V01 MINI 50W 827	50W	2700K	6750lm	7250lm	90°	TXGL25100065255	4895271100902
LP RL V01 MINI 50W 830	50W	3000K	7000lm	7500lm	90°	TXGL25100065355	4895271100919
LP RL V01 MINI 50W 840	50W	4000K	75000lm	8000lm	90°	TXGL25100065455	4895271100926
LP RL V01 MINI 50W 850	50W	5000K	75000lm	8000lm	90°	TXGL25100065555	4895271100933
LP RL V01 MINI 50W 865	50W	6500K	75000lm	8000lm	90°	TXGL25100065655	4895271100940
LP RL V01 MIDI 100W 827	100W	2700K	13500lm	14500lm	90°	TXGL25100065755	4895271100957
LP RL V01 MIDI 100W 830	100W	3000K	14500lm	15000lm	90°	TXGL25100065855	4895271100964
LP RL V01 MIDI 100W 840	100W	4000K	15000lm	16000lm	90°	TXGL25100065955	4895271100971
LP RL V01 MIDI 100W 850	100W	5000K	15000lm	16000lm	90°	TXGL25100066055	4895271100988
LP RL V01 MIDI 100W 865	100W	6500K	15000lm	16000lm	90°	TXGL25100066155	4895271100995
LP RL V01 MAXI 120W 827	120W	2700K	16200lm	17400lm	90°	TXGL25100066255	4895271101008
LP RL V01 MAXI 120W 830	120W	3000K	16800lm	18000lm	90°	TXGL25100066355	4895271101015
LP RL V01 MAXI 120W 840	120W	4000K	18000lm	19000lm	90°	TXGL25100066455	4895271101022
LP RL V01 MAXI 120W 850	120W	5000K	18000lm	19000lm	90°	TXGL25100066555	4895271101039
LP RL V01 MAXI 120W 865	120W	6500K	18000lm	19000lm	90°	TXGL25100066655	4895271101046

Service contact:
Traxon Technologies Ltd.
Room 113, Wireless Centre, 3 Science Park East Avenue, Shatin,
Hong Kong, China
www.traxon-ecue.com

Traxon Technologies Europe GmbH
Karl-Schurz-Str. 38, 33100 Paderborn, Germany