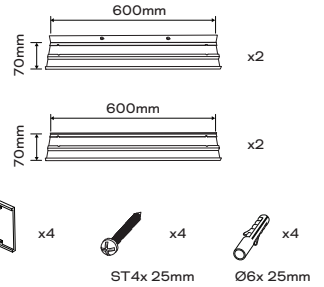
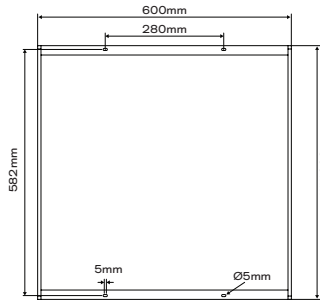


LUXPOINT®

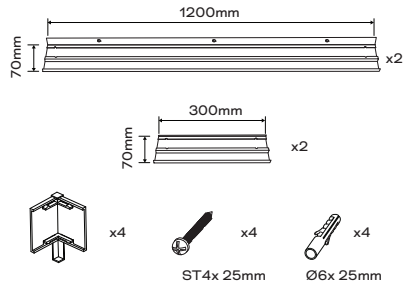
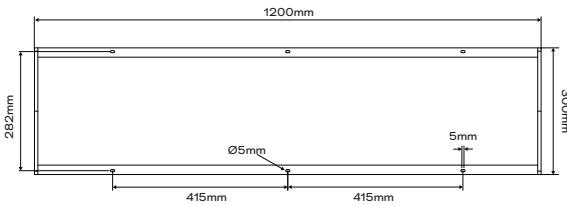
LED Panel Surface Mounting Frame

Modelo	Installation	Size (mm)	Item code
LP PA FRAME 0606 SF	Surface mounted	600 x 600 x 70mm	TXGA25100078355
LP PA FRAME 1203 SF	Surface mounted	1200 x 300 x 70mm	TXGA25100078455
LP PA FRAME 1206 SF	Surface mounted	1200 x 600 x 70mm	TXGA25100078555

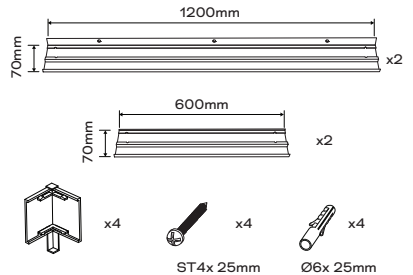
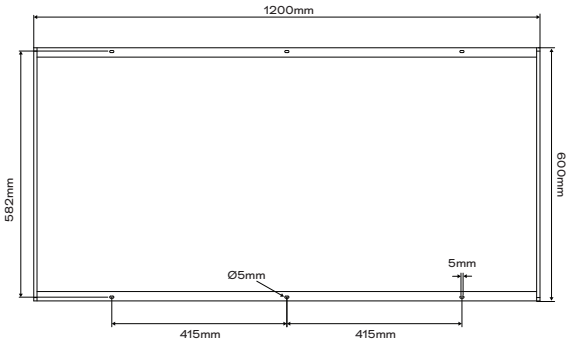
LP PA FRAME 0606 SF



LP PA FRAME 1203 SF

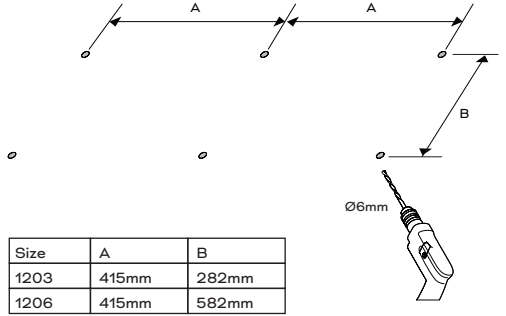
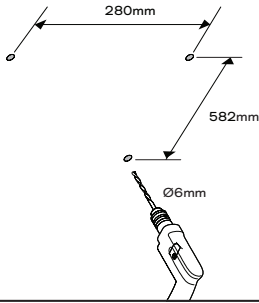
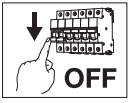


LP PA FRAME 1206 SF

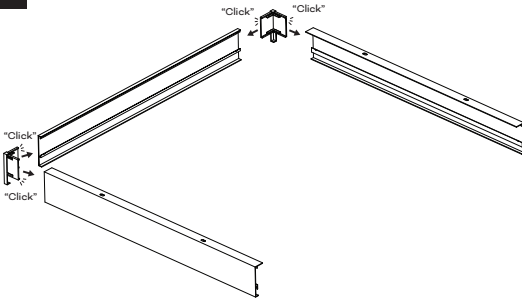


TRAXON

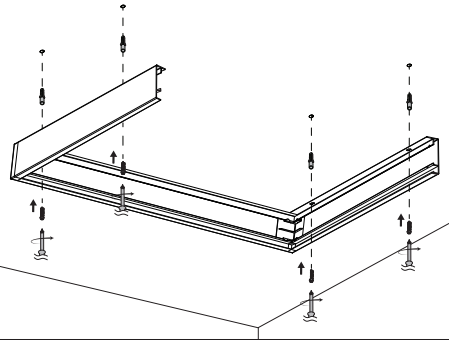
1



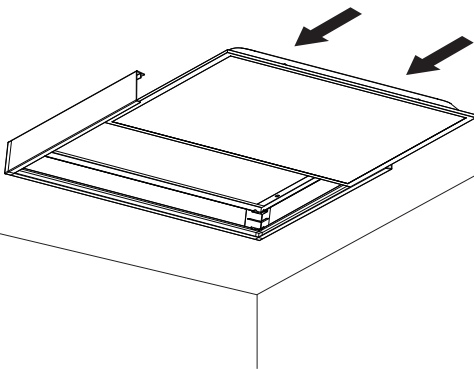
2



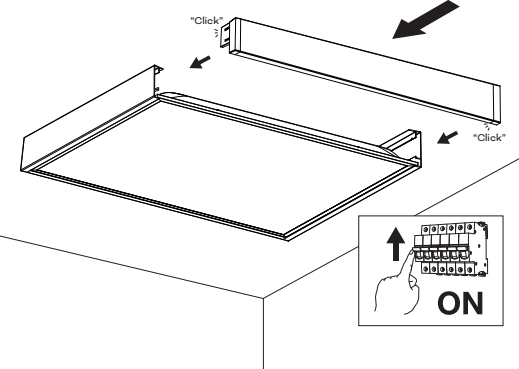
3



4



5



Service contact:
 Traxon Technologies Ltd.
 Room 113, Wireless Centre, 3 Science Park East Avenue,
 Shatin, Hong Kong, China

Karl-Schurz-Str. 38, 33100 Paderborn,
 Germany

www.traxon-ecue.com