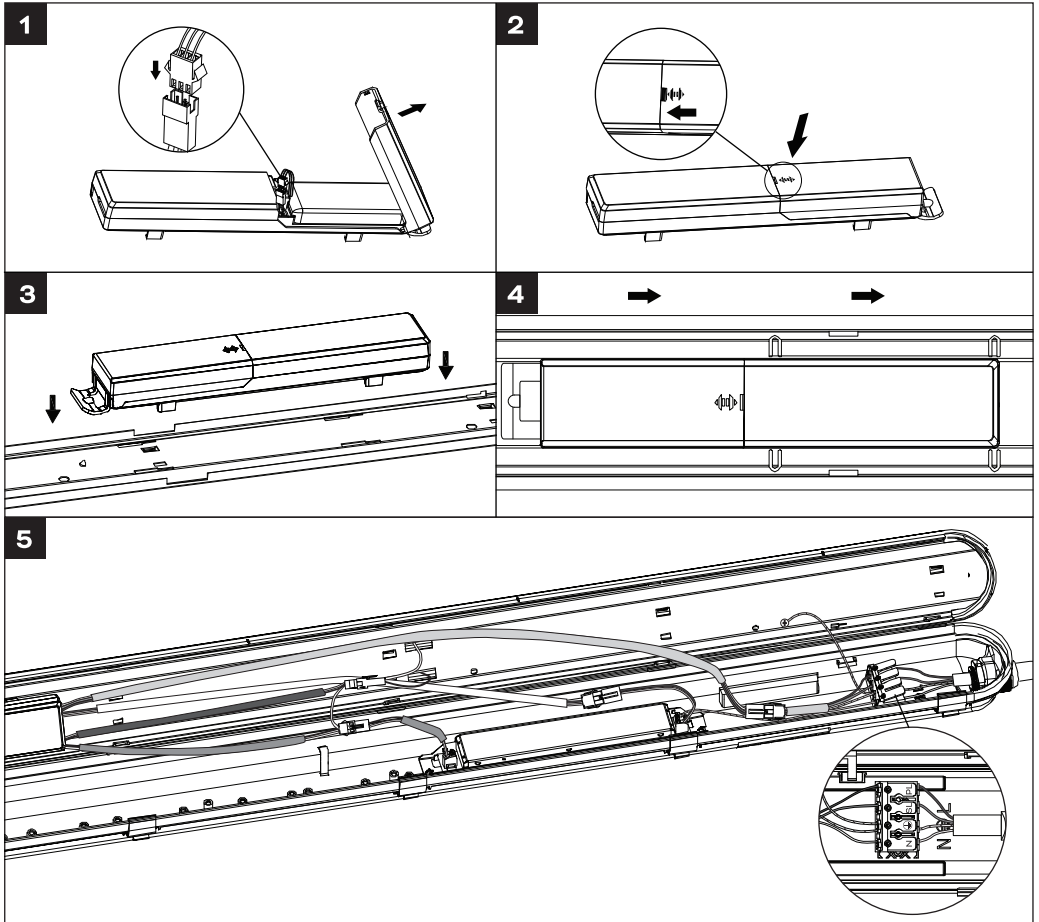


LUXPOINT®

LED Waterproof Batten - Lando
Emergency Kit

LP WP P01 ST EM 3H



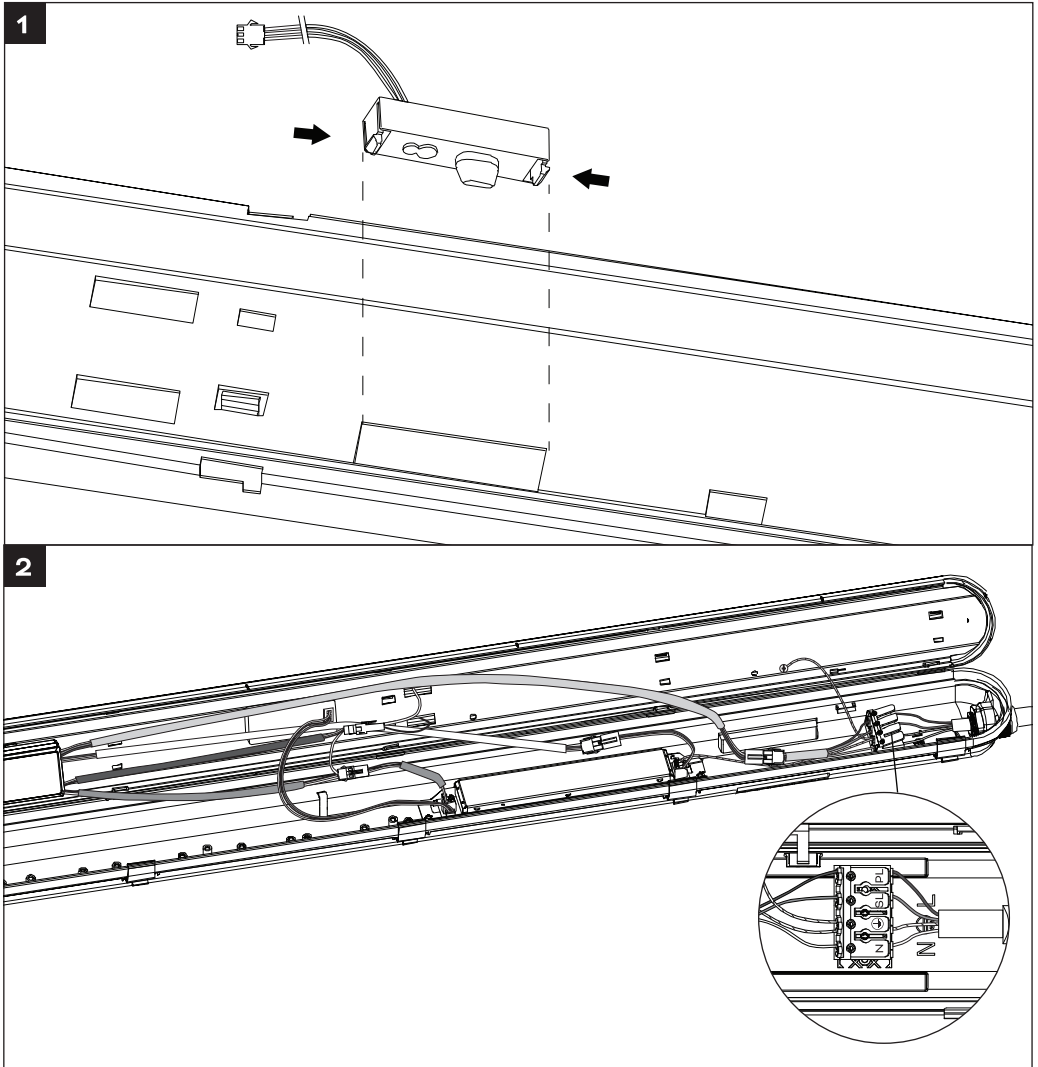
Service contact:
Traxon Technologies Ltd.
Room 113, Wireless Centre, 3 Science Park East Avenue,
Shatin, Hong Kong, China

Karl-Schurz-Str. 38, 33100 Paderborn,
Germany

www.traxon-ecue.com

Item code: TXGL25100046855

Wiring with DC Corridor Microwave sensor Kit: (TXGL25100047055)



Service contact:
Traxon Technologies Ltd.
Room 113, Wireless Centre, 3 Science Park East Avenue,
Shatin, Hong Kong, China

Karl-Schurz-Str. 38, 33100 Paderborn,
Germany

www.traxon-ecue.com